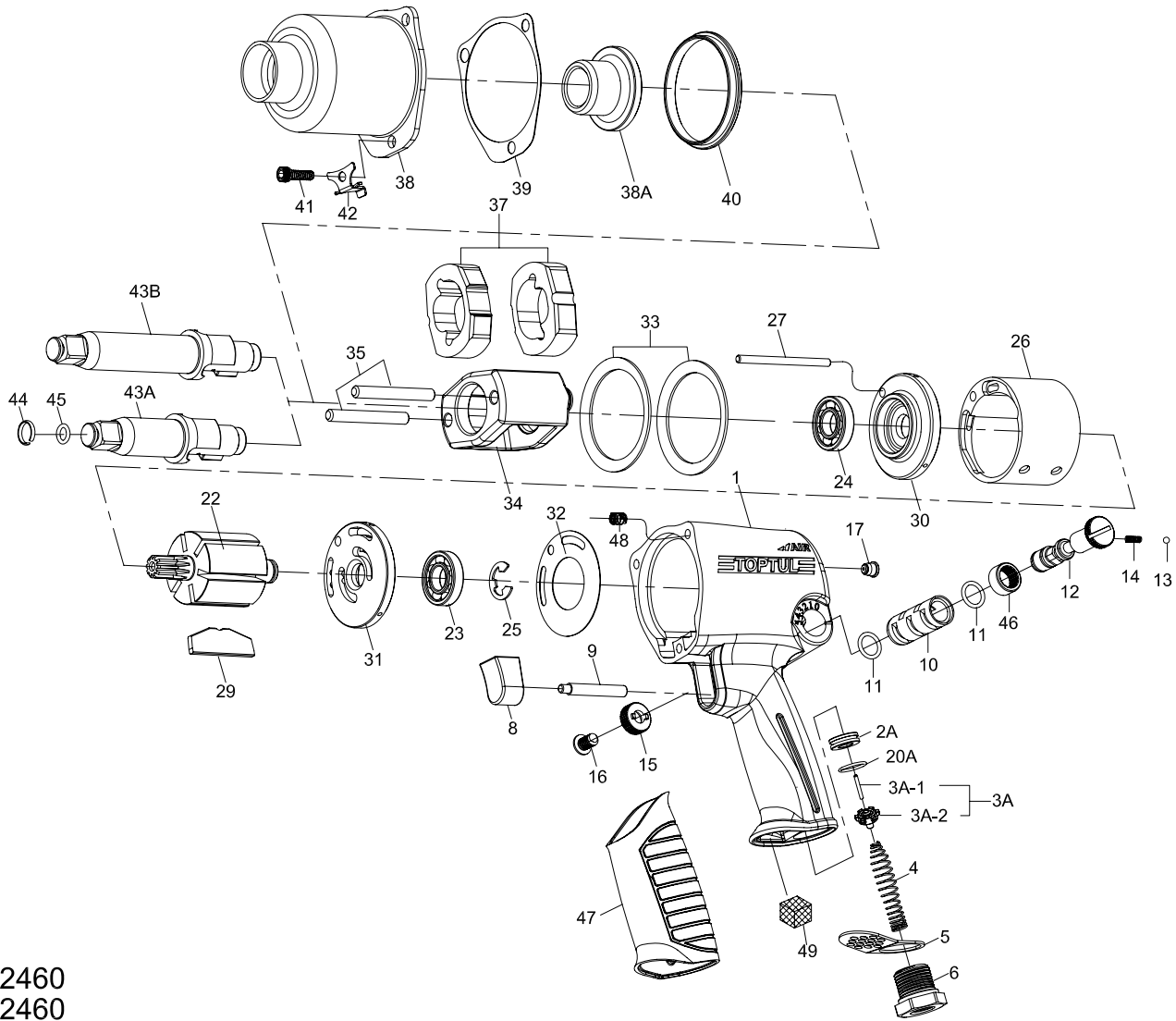


TOPTUL®

3/4" Dr. Super Duty Air Impact Wrench



KAAA2460
KAAB2460

Index No.	Parts No.	Description	Q'TY	Index No.	Parts No.	Description	Q'TY
1	KAEC0010	Housing Assembly {incl.10.17.46.47.48(3)}	1	29	KAED0290	Rotor Blade	6
2A	KAEC002A	Throttle Valve Seat	1	30	KAED0300	Front End Plate	1
3A	KAEC003A	Throttle Valve Assembly (incl.3A-1.3A-2)	1	31	KAED0310	Rear End Plate	1
3A-1	KAEC003A1	Throttle Valve Pin	1	32	KAEC0320	Rear End Plate Gasket	1
3A-2	KAEC003A2	Throttle Valve	1	33	KAEC0330	Motor Clamp Washer	2
4	KAEC0040	Throttle Valve Spring	1	34	KAEE0340	Hammer Frame	1
5	KAEC0050	Exhaust Deflector	1	35	KAEC0350	Hammer Pin	2
6	KAEC0060	Air Inlet	1	37	KAEC0370	Hammer	2
8	KAEC0080	Trigger Assembly (incl.09)	1	38	KAED0380	Hammer Case	1
9	KAEC0090	Trigger Pin	1	38A	KAEE038A	Bushing	1
10	KAEC0100	Reverse Valve Bushing	1	39	KAEC0390	Hammer Case Gasket	1
11	KAEC0110	O-Ring	2	40	KAEC0400	Separator	1
12	KAEC0120	Reverse Valve	1	41	KAEE0410	Hammer Case Screw	3
13	KAEC0130	Steel Ball	1	42	KAEC0420	Trigger Retainer	1
14	KAEC0140	Ball Spring	1	43A	KAEE043A	Standard Anvil	1
15	KAEC0150	Reverse Valve Knob	1	43B	KAEE043B	2" Extended Anvil	1
16	KAEC0160	Screw	1	44	KAEE0440	Socket Retainer	1
17	KAEC0170	Grease Fitting	1	45	KAEE0450	O-Ring	1
20A	KAEC020A	O-Ring	1	46	KAEC0460	Reverse Valve Bushing Gear	1
22	KAED0220	Rotor	1	47	KAEC0470	Rubber Grip	1
23	KAEC0230	Ball Bearing	1	48	KAEC0480	Heli-Coil	3
24	KAED0240	Ball Bearing	1	49	KAEC0490	Muffler Element	1
25	KAEC0250	Rear Rotor Bearing Retainer	1				
26	KAED0260	Cylinder	1	TK	KAEE0TK0	Tune-Up Kit {4.11(2).13.14.20A.23.24.25.29(6).32.39.44.45.49}	
27	KAEE0270	Cylinder Dowel	1				